

FUTEK MODEL PFT510

MINIATURE FLUSH MOUNT DIAPHRAGM PRESSURE SENSOR (Previously P511J)

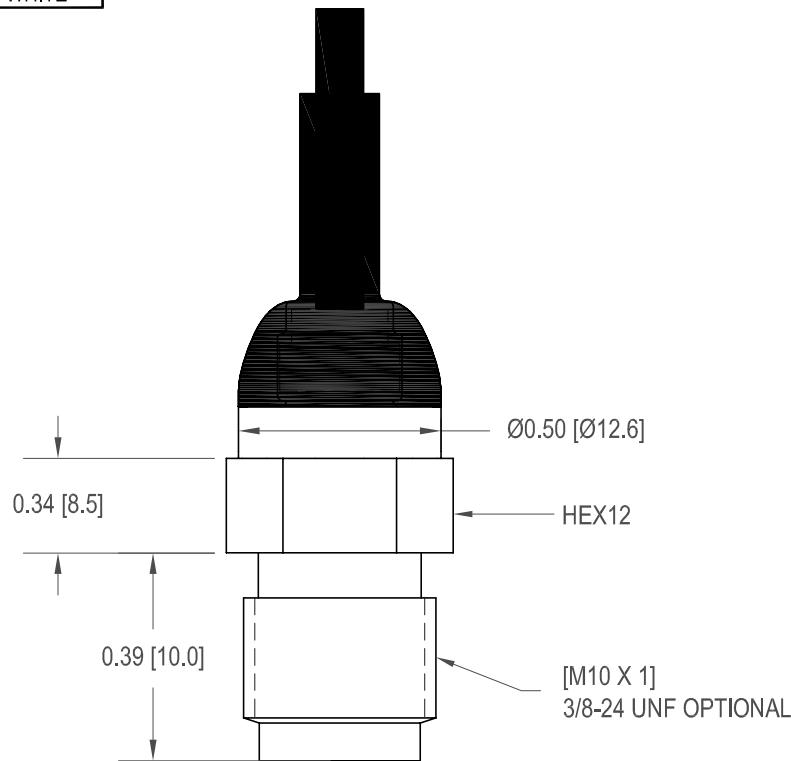


Drawing Number: FI1159-C

INCH [mm] | R.O.= Rated Output

WIRING CODE (WC1)			
+Excitation	-Excitation	+Signal	-Signal
RED	BLUE	GREEN	WHITE

- THIN FILM TECHNOLOGY,
- FLUSH MOUNT
- STAINLESS STEEL CONSTRUCTION
- NEMA 4 (IP 65)



TECHNICAL SPECIFICATIONS:

(REFERENCE CONDITION: 20°C)

CAPACITY: $\left(\frac{\text{PSI}}{\text{BAR}} \right) \begin{pmatrix} 218 \\ 15 \end{pmatrix} \begin{pmatrix} 290 \\ 20 \end{pmatrix} \begin{pmatrix} 508 \\ 35 \end{pmatrix} \begin{pmatrix} 1015 \\ 70 \end{pmatrix}$
 $\begin{pmatrix} 1450 \\ 100 \end{pmatrix} \begin{pmatrix} 3626 \\ 250 \end{pmatrix} \begin{pmatrix} 7252 \\ 500 \end{pmatrix} \begin{pmatrix} 10153 \\ 700 \end{pmatrix}$

MECHANICAL SPECIFICATION:

WEIGHT: < 15 g
 WETTED/ BODY MATERIAL: STAINLESS STEEL
 ENCLOSURE PROTECTION: NEMA 4 (IP 65)
 ELECTRICAL CONNECTION: 26 AWG, 4 CONDUCTOR SHIELDED TEFLON CABLE, 3 ft. [1 m] LONG

PERFORMANCE:

RATED OUTPUT: 1 to 2 mV/V
 SAFE OVERLOAD: 150% of R.O.
 BURST PRESSURE: 300% of R.O.
 ZERO BALANCE: ±3% of R.O.
 EXCITATION(VDC): 10 VDC
 COMBINED NONLIN. & HYSTERESIS: < ±0.5% of R.O.
 NONREPEATABILITY: ±0.05% of R.O.
 RESPONSE TIME: 6 KHz (15 bar) to 100 KHz (700 bar)
 CALIBRATION: CERTIFICATE OF CONFORMANCE INCLUDED
 NIST TRACEABLE 5 pt. CALIBRATION AVAILABLE

ENVIRONMENTAL :

INSULATION RESISTANCE: >1000 Mohms @ 50VDC and 20°C
 BRIDGE RESISTANCE: 370 Ohms ± 5%
 OPERATING TEMPERATURE: -4 to +212°F [-20 to +100°C]
 COMPENSATED TEMPERATURE: +68 to +176°F [+20 to +80°C]
 SHOCK: 100 G'S 1/2 SINUSOIDAL - 1 ms
 VIBRATION: ±0.02 of R.O. / G'S (20-2000 Hz, 50 G'S MAX)
 COMBINED ZERO & SPAN SHIFT: ±0.01% of R.O./°F [±0.02% of R.O./°C]

FUTEK
ADVANCED SENSOR TECHNOLOGY, INC.

This drawing is submitted solely for the information and exclusive use of the original addressee. It is not to be divulged in whole or in part, by any firm or individual without written permission from FUTEK

10 THOMAS
IRVINE, CA 92618 USA
1-800-23-FUTEK (38835)

INTERNET:
<http://www.futek.com>