

FUTEK MODEL TRS300

SHAFT TO SHAFT ROTARY TORQUE SENSOR

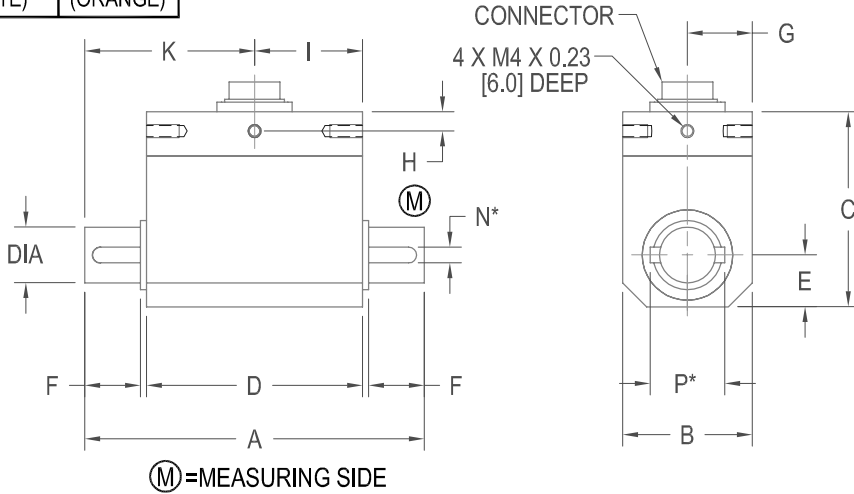
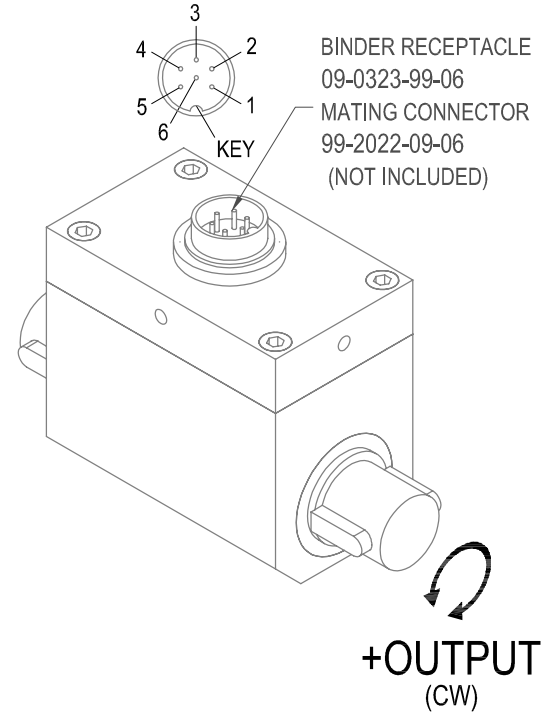
Drawing Number: F11025-B

CE COMPLIANT

INCH [mm] R.O.= Rated Output

CONNECTOR CODE
(CABLE PACKAGE WIRING CODE)

| | | | |
|--------------------|---------------------|-----------------------|--------------------|
| -Excitation | +Excitation | Shield | +Signal |
| PIN '1' (BLACK) | PIN '2' (RED) | PIN '3' (FLOATING) | PIN '4' (GREEN) |
| -Signal | Shunt Cal | | |
| PIN '5' (WHITE) | PIN '6' (ORANGE) | | |



| STOCK # | Capacity | | DIA | A | B | C | D | E | F | G | H | I | K | N* | P* | MAX AXIAL LOAD | |
|----------|----------|------|------------------|---------------|--------------|--------------|--------------|----------------|--------------|----------------|-------------|----------------|----------------|---------------|---------------|----------------|------|
| | in-lb | N m | | | | | | | | | | | | | | lb | (N) |
| FSH01987 | 89 | 10 | 0.748 [19] g6 | 4.25 [108] | 1.49 [38] | 2.28 [58] | 1.73 [44] | 0.74 [19] | 1.18 [30] | 0.74 [19] | 0.23 [6] | 0.86 [22] | 2.08 [53] | 0.236 [6] | 0.945 [24] | 34 | 150 |
| FSH01988 | 177 | 20 | | | | | | | | | | | | | | 124 | 550 |
| FSH01989 | 443 | 50 | | | | | | | | | | | | | | 225 | 1000 |
| FSH01990 | 885 | 100 | | | | | | | | | | | | | | 405 | 1800 |
| FSH01991 | 1770 | 200 | 1.496 [38] g6 | 7.16 [182] | 2.87 [73] | 3.54 [90] | 2.24 [57] | 1.43 [36.5] | 2.36 [60] | 1.43 [36.5] | 0.19 [5] | 1.12 [28.5] | 3.56 [90.5] | 0.394 [10] | 1.732 [44] | 900 | 4000 |
| FSH01992 | 4425 | 500 | | | | | | | | | | | | | | 1350 | 6000 |
| FSH01993 | 8851 | 1000 | | | | | | | | | | | | | | 1350 | 6000 |

SPECIFICATIONS:

| | |
|---|--|
| RATED OUTPUT | 2 mV/V nom |
| SAFE OVERLOAD | 150% of R.O. |
| ZERO BALANCE | ±1% of R.O. |
| EXCITATION (VDC OR VAC) | 5 to 11 |
| BRIDGE RESISTANCE | 350 Ω nom. |
| NONLINEARITY | ±0.2% of R.O. |
| HYSTERESIS | ±0.1% of R.O. |
| NONREPEATABILITY | ±0.2% R.O. |
| TEMP. SHIFT ZERO | ±0.01% of R.O. / °F [±0.02% of R.O. / °C] |
| TEMP. SHIFT SPAN | ±0.01% of R.O. / °F [±0.02% of Load / °C] |
| OPERATING TEMP. | 41 to 122°F [+5 to +50°C] |
| ROTATIONAL SPEED | 3000 RPM MAX |
| CONNECTOR: | 6 pin Binder Series #581 (09-0323-99-06) |
| ACCESSORIES AND RELATED INSTRUMENTS AVAILABLE | |
| CALIBRATION (STD) | Certificate of Conformance |
| CALIBRATION (AVAILABLE) | 5pt CW and CCW |
| SHUNT CAL VALUE (INTERNAL) | 87K ohm |
| CALIBRATION TEST EXCITATION | 10VDC |
| SHUNT CALIBRATION | With sensor fully connected jump Pins 1 & 6 to generate 2 mV/V nom output. |

* Feather Keyways per DIN 6885
Keyways come pre-installed.