

FUTEK MODEL LSB200 (L2357)

S-BEAM JUNIOR LOAD CELL

Drawing Number: FI1268

*DESIGNED FOR INLINE LOADING IN TENSION & COMPRESSION
AVAILABLE IN #4-40 AND M3x0.5 METRIC THREADS*

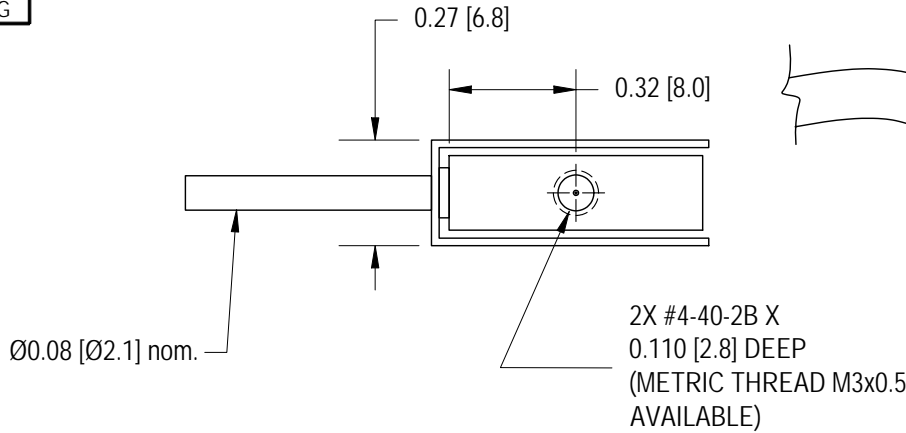
INCH [mm] | R.O.= Rated Output

WIRING CODE (WC1)

+Excitation	-Excitation	+Signal	-Signal
RED	BLACK	GREEN	WHITE
Shield			
FLOATING			

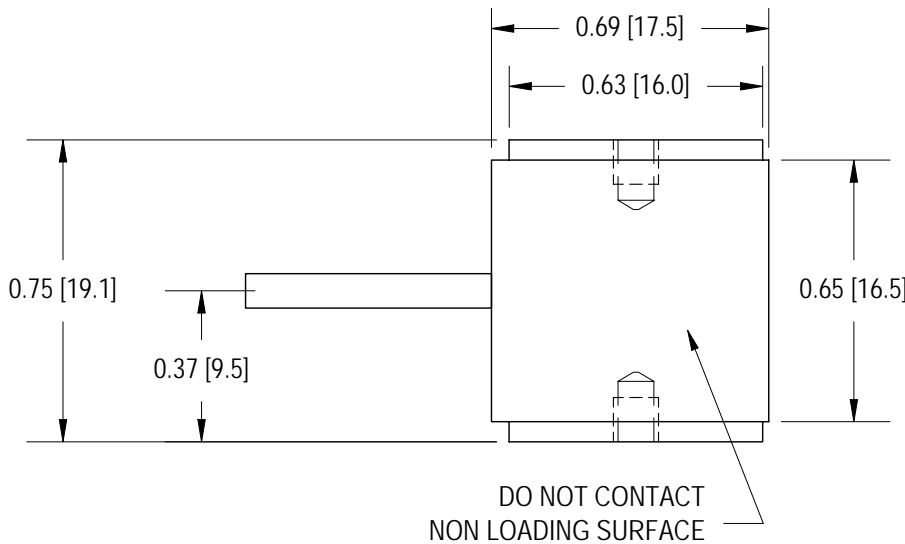
**+OUTPUT
(TENSION)**

**-OUTPUT
(COMPRESSION)**



FUTEK LABEL

ID. #
CAPACITY



SPECIFICATIONS:

RATED OUTPUT	SEE CHART
SAFE OVERLOAD	1000% of R.O.
ZERO BALANCE	±3% of R.O.
EXCITATION (VDC OR VAC)	5 Max
BRIDGE RESISTANCE	350 Ω nom.
NONLINEARITY	±0.1% of R.O.
HYSTERESIS	±0.1% of R.O.
NONREPEATABILITY	±0.05% of R.O.
TEMP. SHIFT ZERO	±0.01% of R.O./°F [0.018% of R.O./°C]
TEMP. SHIFT SPAN	±0.02% of LOAD/°F [0.036% of LOAD/°C]
COMPENSATED TEMP.	60 to 160°F [15 to 72°C]
OPERATING TEMP.	-60 to 200°F [-50 to 93°C]
MATERIAL	ALUMINUM
WEIGHT	0.3 oz [9 g]
DEFLECTION	0.002 [0.05]
CABLE: #29 AWG, 4 Conductor, Spiral Shielded Silicone Cable, 5 ft [1.5 m] Long	
ACCESSORIES AND RELATED INSTRUMENTS AVAILABLE	
CALIBRATION (STD)	5 pt TENSION; 60.4K Ω SHUNT CAL. VALUE (For 2 mV/V), 100K Ω SHUNT CAL VALUE (For 0.5 - 1 mV/V)
CALIBRATION (AVAILABLE)	COMPRESSION
CALIBRATION TEST EXCITATION	5 VDC

Stock #	Capacity (g)	Capacity (N)	Thread Size	R.O. nom.
FSH02534	10	0.1	#4-40	0.5 mV/V
FSH02319			M3x0.5	
FSH02666	20	0.2	#4-40	1 mV/V
FSH02667			M3x0.5	
FSH02535	50	0.5	#4-40	2 mV/V
FSH02663			M3x0.5	
FSH02536	100	1.0	#4-40	
FSH02664			M3x0.5	
FSH02537	250	2.5	#4-40	
FSH02665			M3x0.5	

FUTEK MODEL LSB200 (L2357)

S-BEAM JUNIOR LOAD CELL

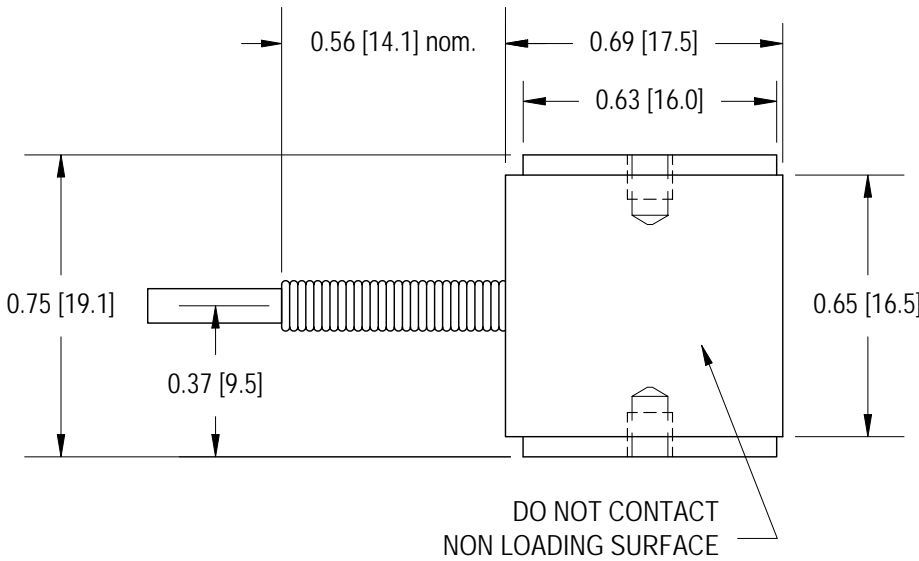
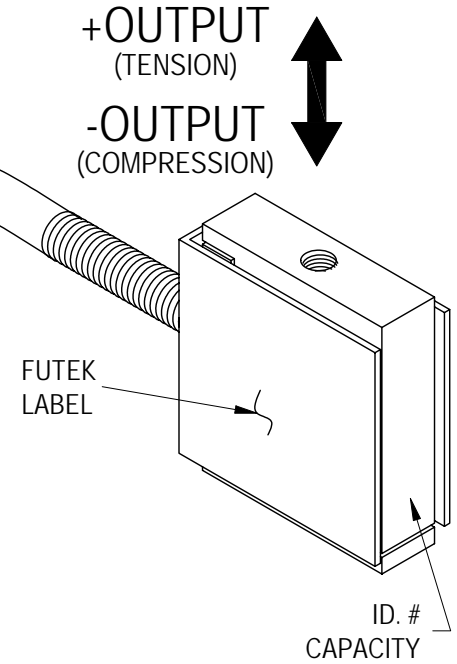
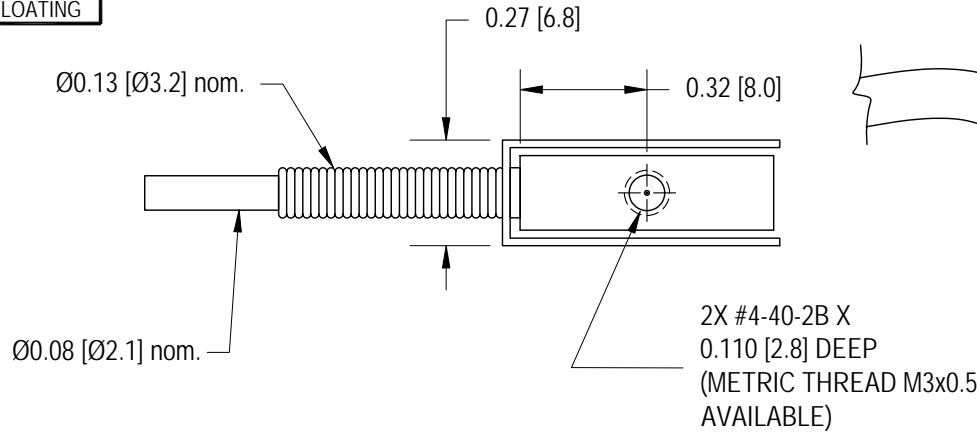
Drawing Number: FI1041-B

**DESIGNED FOR INLINE LOADING IN TENSION & COMPRESSION
AVAILABLE IN #4-40 AND M3x0.5 METRIC THREADS**

INCH [mm] | R.O.= Rated Output

WIRING CODE (WC1)

+Excitation	-Excitation	+Signal	-Signal
RED	BLACK	GREEN	WHITE
Shield			
FLOATING			



SPECIFICATIONS:

RATED OUTPUT	2 mV/V nom.
SAFE OVERLOAD	1000% of R.O. (1 to 100 lb), 200% of R.O. Tension Only (50 lb and 100 lb)*
ZERO BALANCE	±3% of R.O.
EXCITATION (VDC OR VAC)	5 MIN, 10 MAX
BRIDGE RESISTANCE	350 Ω nom.
NONLINEARITY	±0.1% of R.O.
HYSTERESIS	±0.1% of R.O.
NONREPEATABILITY	±0.05% of R.O.
TEMP. SHIFT ZERO	±0.01% of R.O./°F [0.018% of R.O./°C]
TEMP. SHIFT SPAN	±0.02% of LOAD/°F [0.036% of LOAD/°C]
COMPENSATED TEMP.	60 to 160°F [15 to 72°C]
OPERATING TEMP.	-60 to 200°F [-50 to 93°C]
WEIGHT	0.3 oz [9 g] (1 to 10 lb), 0.9 oz [26 g] (25 to 100 lb)
DEFLECTION	0.003 [0.08] TO 0.005 [0.13]
CABLE: #29 AWG, 4 Conductor, Spiral Shielded Silicone Cable, 5 ft [1.5 m] Long	
ACCESSORIES AND RELATED INSTRUMENTS AVAILABLE	
CALIBRATION (STD)	5 pt TENSION; 60.4KΩ SHUNT CAL. VALUE
CALIBRATION (AVAILABLE)	COMPRESSION
CALIBRATION TEST EXCITATION	5 VDC

Stock #	Capacity (lb)	Capacity (N)	Thread Size	Material	
FSH00091	1	4.5	#4-40	Aluminum	
FSH00101			M3x0.5		
FSH00092	2	8.9	#4-40		
FSH00102			M3x0.5		
FSH00093	5	22.2	#4-40		
FSH00103			M3x0.5		
FSH00096	25	111	#4-40		17-4ph S.S
FSH00105			M3x0.5		
FSH00097	50	222	#4-40		
FSH00106			M3x0.5		
FSH00098	100	445	#4-40		
FSH00107			M3x0.5		

*SENSOR STRUCTURE CAN HANDLE HIGH OVERLOADS BUT #4-40 and M3x0.5 THREADS MAY LIMIT OVERLOAD AT HIGHER CAPACITY