

# FUTEK MODEL LSB350

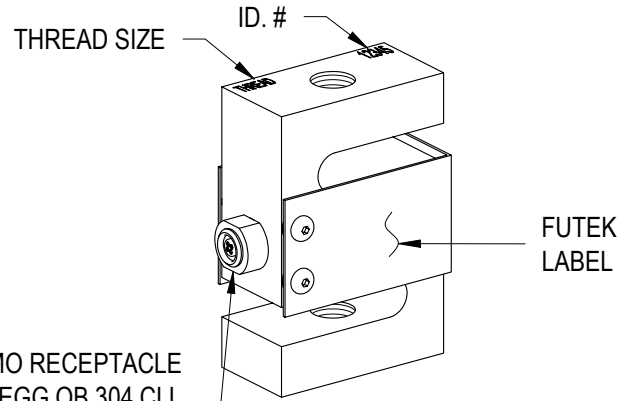
# S-BEAM LOAD CELL IN TENSION AND COMPRESSION (PREVIOUSLY L2350/L2351)

**Drawing Number: FI1073**

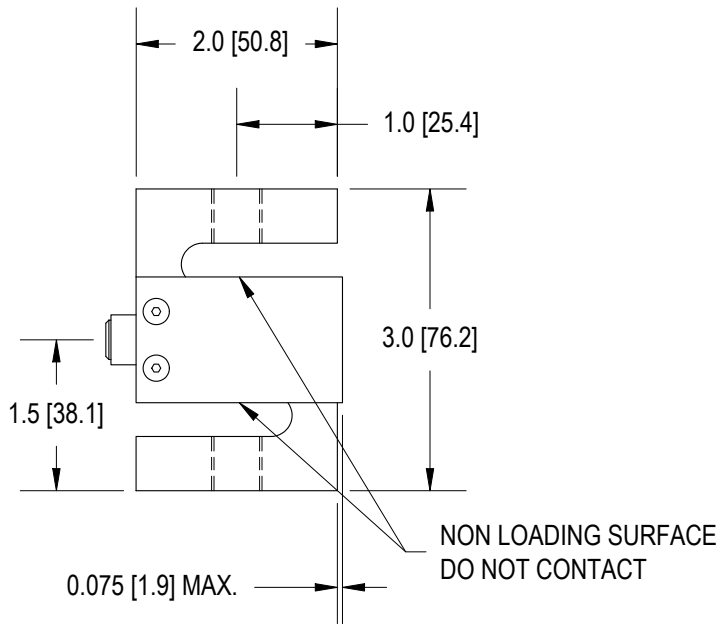
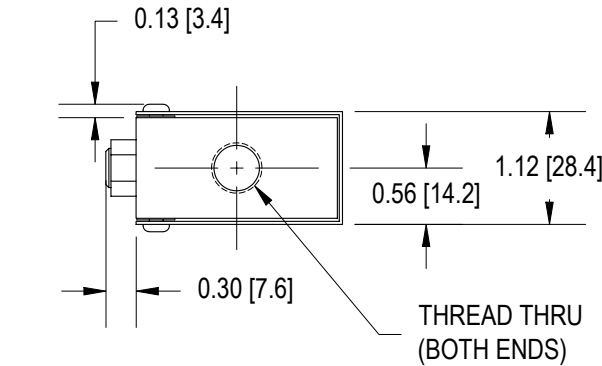
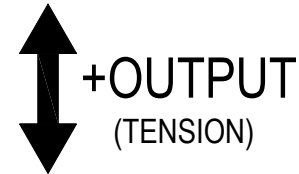
**INCH [mm] R.O.= Rated Output**

WIRING CODE (CC4)

+Excitation	-Excitation	+Signal	-Signal
RED	BLACK	GREEN	WHITE



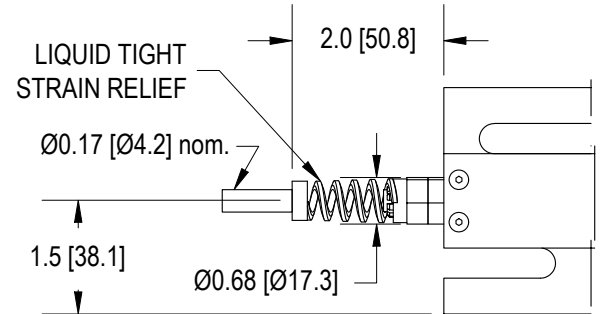
LEMO RECEPTACLE  
EGG.OB.304.CLL  
MATING CONNECTOR  
FGG.OB.304.CLAD35  
(NOT INCLUDED)



#28 AWG, 6 Conductor PU Cable (5ft) Option

WIRING CODE (WC4)

+Excitation	-Excitation	+Signal	-Signal
RED	BLACK	GREEN	WHITE
+Sense	-Sense	Shield	
ORANGE	BLUE	Grounded	



RETRACTIL PVC CABLE AVAILABLE, CONTACT FACTORY

## SPECIFICATIONS:

<b>RATED OUTPUT</b>	2 mV/V nom.
<b>SAFE OVERLOAD</b>	150% of R.O.
<b>ZERO BALANCE</b>	±1% of R.O.
<b>EXCITATION (VDC OR VAC)</b>	20 MAX
<b>BRIDGE RESISTANCE</b>	1000 Ω nom.
<b>NONLINEARITY</b>	±0.05% of R.O.
<b>HYSTERESIS</b>	±0.05% of R.O.
<b>NONREPEATABILITY</b>	±0.05% of R.O.
<b>CREEP</b>	±0.025% of LOAD
<b>TEMP. SHIFT ZERO</b>	±0.001% of R.O./°F [0.0018% of R.O./°C]
<b>TEMP. SHIFT SPAN</b>	±0.0008% of LOAD/°F [0.0014% of LOAD/°C]
<b>COMPENSATED TEMP.</b>	60 to 160°F [15 to 72°C]
<b>OPERATING TEMP.</b>	-60 to 200°F [-50 to 93°C]
<b>WEIGHT</b>	7.5 oz [212 g] (2000 lb - 18 oz [510 g])
<b>MATERIAL</b>	ANODIZED ALUMINUM (2000 lb - 17-4PH S.S.)
<b>DEFLECTION</b>	0.003 to 0.010 [0.08 to 0.25] nom.
<b>CONNECTOR: 4 Pin LEMO Receptacle (EGG.OB.304.CLL)</b>	
<b>ACCESSORIES AND RELATED INSTRUMENTS</b>	
<b>CALIBRATION (STD)</b>	5 pt TENSION; 150K Ω SHUNT CAL. VALUE
<b>CALIBRATION (AVAILABLE)</b>	COMPRESSION
<b>CALIBRATION TEST EXCITATION</b>	10 VDC

STK#	CAPACITY lb	N	THREAD	CONNECTOR LEMO	CABLE
FSH00967	500	2224	1/2-20	X	
FSH02072					X
FSH00966			M12 X 1.75	X	
FSH01591					X
FSH00971	1000	4448	1/2-20	X	
FSH02070					X
FSH00970			M12 X 1.75	X	
FSH01592					X
FSH00973	2000	8896	1/2-20	X	
FSH02068					X
FSH00972			M12 X 1.75	X	
FSH01593					X