

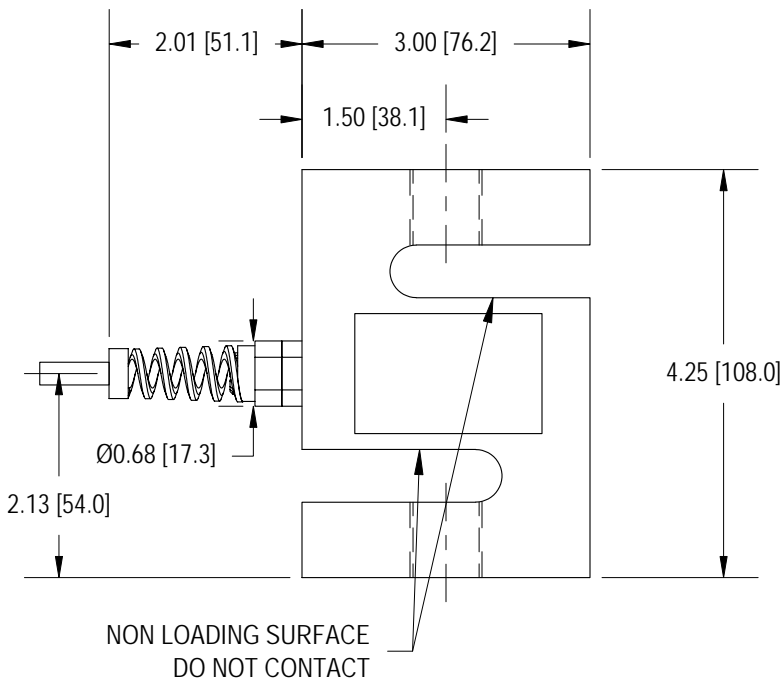
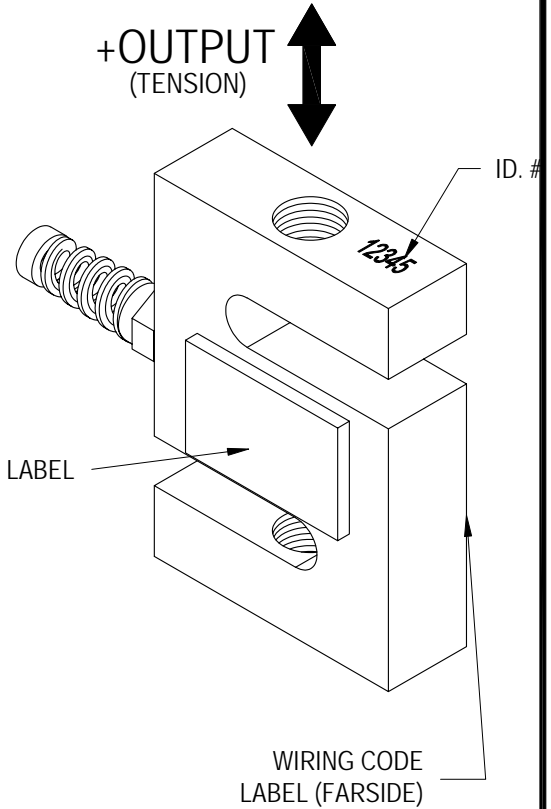
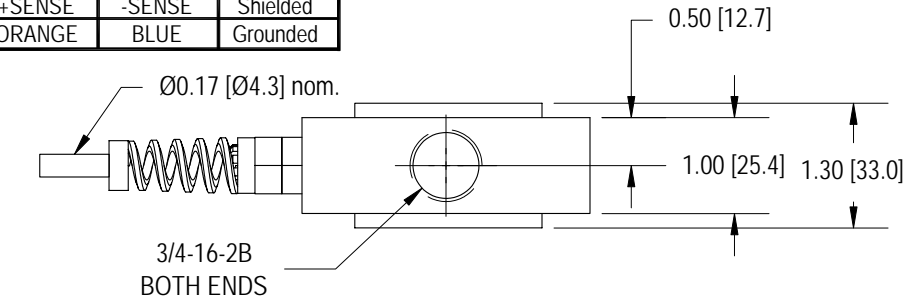
FUTEK MODEL LSB453  
 STK# FSH02102

# 3mV/V S-BEAM LOAD CELL IN TENSION AND COMPRESSION (Previously L2364)

Drawing Number: FI1079-A

INCH [mm] | R.O.= Rated Output

WIRING CODE (WC4)			
+Excitation	-Excitation	+Signal	-Signal
RED	BLACK	GREEN	WHITE
+SENSE	-SENSE	Shielded	
ORANGE	BLUE	Grounded	



### SPECIFICATIONS:

<b>RATED OUTPUT</b>	3 mV/V nom. (Matched Output Optional)
<b>CAPACITY</b>	5000 lb [22240 N]
<b>SAFE OVERLOAD</b>	150% of R.O.
<b>ZERO BALANCE</b>	±1% of R.O.
<b>EXCITATION (VDC OR VAC)</b>	18 MAX
<b>BRIDGE RESISTANCE</b>	350 Ω nom.
<b>NONLINEARITY</b>	±0.05% of R.O.
<b>HYSTERESIS</b>	±0.05% of R.O.
<b>NONREPEATABILITY</b>	±0.01% of R.O.
<b>TEMP. SHIFT ZERO</b>	±0.001% of R.O./°F [0.0018% of R.O./°C]
<b>TEMP. SHIFT SPAN</b>	±0.0008% of LOAD/°F [0.0014% of LOAD/°C]
<b>COMPENSATED TEMP.</b>	60 to 160°F [15 to 72°C]
<b>OPERATING TEMP.</b>	-40 to 200°F [-40 to 93°C]
<b>MATERIAL</b>	17-4 PH S.S.
<b>CABLE:</b>	#28 AWG, 6 Conductor, Spiral Shielded Polyurethane Cable 5 ft [1.5m] Long
<b>ACCESSORIES AND RELATED INSTRUMENTS AVAILABLE</b>	
<b>CALIBRATION (STD)</b>	5 pt. TENSION; 43.575KΩ SHUNT CAL. VALUE
<b>CALIBRATION (AVAILABLE)</b>	COMPRESSION
<b>CALIBRATION TEST EXCITATION</b>	10 VDC

**FUTEK**  
 ADVANCED SENSOR TECHNOLOGY, INC.

This drawing is submitted solely for the information and exclusive use of the original addressee. It is not to be divulged in whole or in part, by any firm or individual without written permission from FUTEK

10 THOMAS  
 IRVINE, CA 92618 USA  
 1-800-23-FUTEK (38835)

INTERNET:  
<http://www.futek.com>