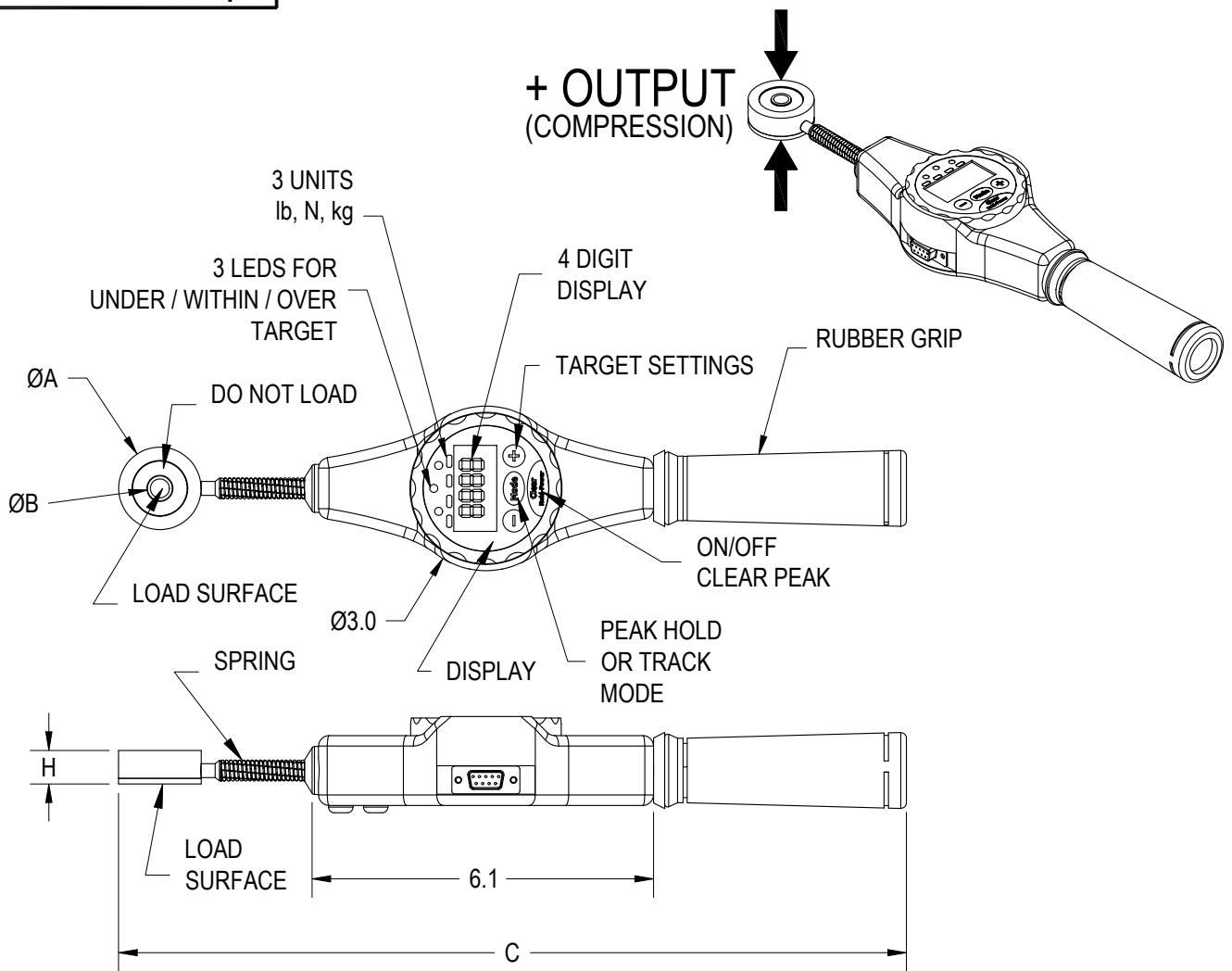


FUTEK MODEL LWP400 WELD PROBE FORCE SENSOR w/ Built in Digital Display

INCH (mm) | R.O.= Rated Output



SPECIFICATIONS:

EXCITATION (VDC OR VAC)
NONLINEARITY
OPERATING TEMP.

9 Volt battery
±1% of F.S.
32 to 150°F

CAPACITIES		A	B	C	H
lb	kg				
25	11	0.74	0.20	13.4	0.30
1100	499	1.48	0.45	14.0	0.70
4500	2041				

MATERIAL:

—

HEAT TREATMENT - FINISH:

—

REVISIONS: (Refer to dwg # revision sheet)

△ XXX

OUTLINE DRAWING

STANDARD NOTES: (Unless Otherwise Specified)

- ALL DIMENSIONS ARE IN INCHES
- DRAWING INTERPRETATION DIMS. PER ASME-Y14.5M
- REMOVE BURRS AND BREAK SHARP EDGES .005 - .015
- THREADS PER HANDBOOK H-28
- DIMENSIONS ARE SHOWN AFTER PLATING

ANGLE:

±1/2°

CHAMFER:

±5°

TOLERANCE:

.XX ±.01

.XXX ±.005

3rd ANGLE PROJ.



This drawing is submitted solely for the information and exclusive use of the original addressee. It is not to be divulged in whole or in part, by any firm or individual without written permission from:

FUTEK
ADVANCED SENSOR TECHNOLOGY, INC.

10 THOMAS
IRVINE, CA 92618 USA
Phone: (949) 465-0900
Fax: (949) 465-0905

CAGE: 1X8M6

MODEL: **LWP400**

DWG No.: **FO1012**

DRAWN BY: J. VARGAS

CHECKED BY: XXXXX

APPROVED BY: XXXXX

DATE: **March 21, 2003**