

FUTEK MODEL TFF325

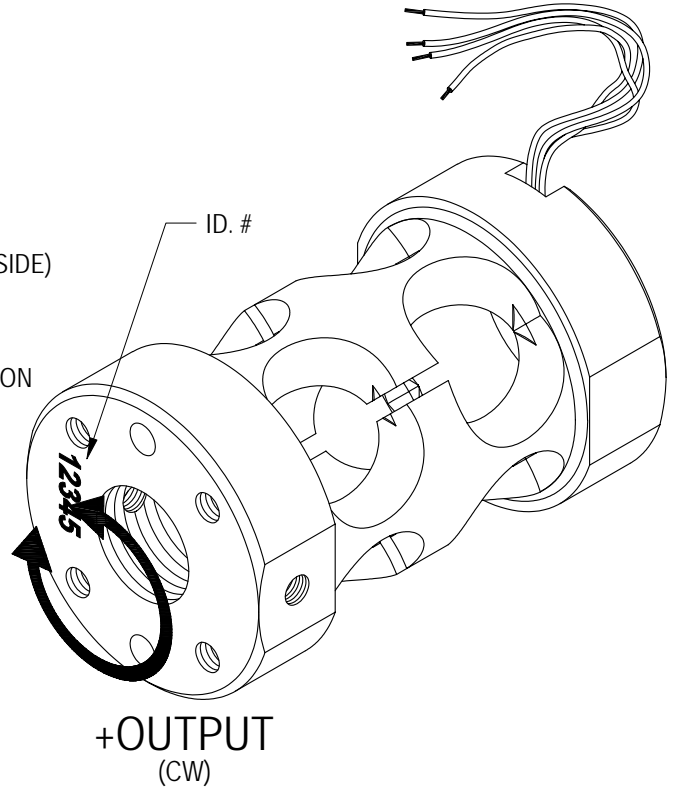
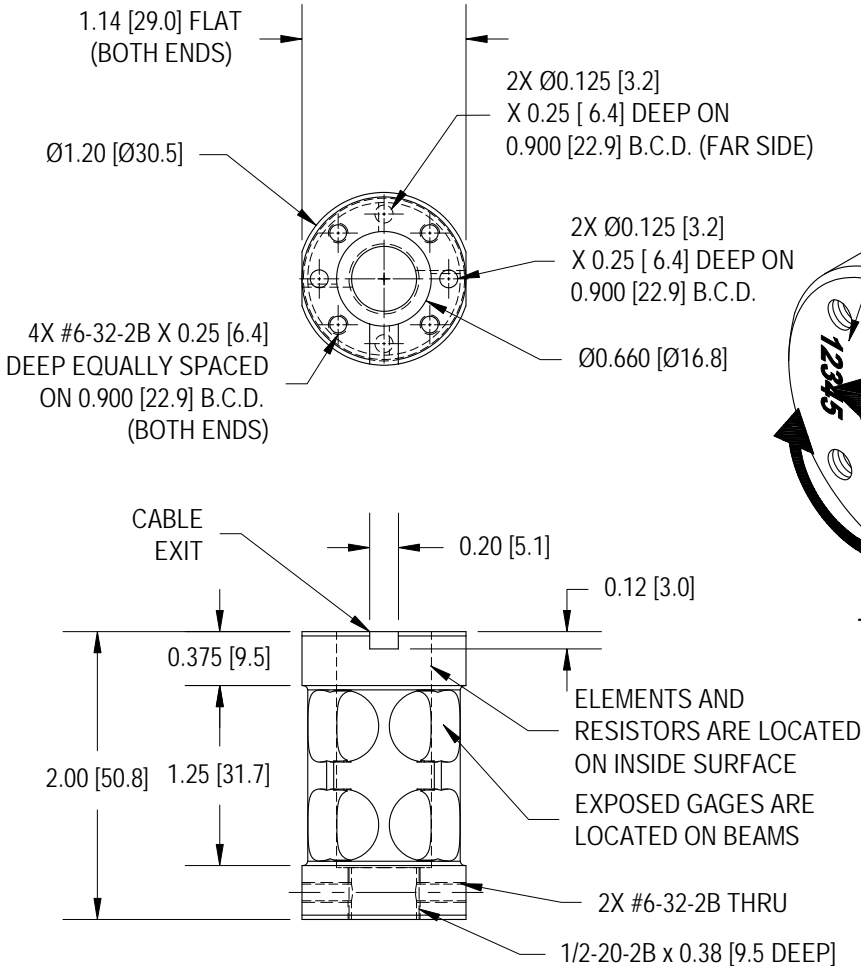
REACTION TORQUE SENSOR (Previously T5160)

Drawing Number: FI1138

INCH [mm] | R.O.= Rated Output

| WIRING CODE (WC1) | | | |
|-------------------|-------------|---------|---------|
| +Excitation | -Excitation | +Signal | -Signal |
| RED | BLACK | GREEN | WHITE |

****OEM TYPE PRODUCT (NOT RECOMMENDED FOR END USERS) ALL ELEMENTS ARE EXPOSED WITH LEAD WIRE TERMINATION****



| STK# | CAPACITY | | TORSIONAL STIFFNESS |
|----------|-----------|------|---------------------|
| | in-oz | Nm | in-oz/rad |
| FSH00605 | 20 | 0.12 | 800 |
| FSH00606 | 50 | 0.30 | 3300 |
| FSH00607 | 12 in-lb | 1.5 | 1000 in-lb/rad |
| FSH00608 | 50 in-lb | 6 | 9400 in-lb/rad |
| FSH00609 | 100 in-lb | 12 | 13200 in-lb/rad |

SPECIFICATIONS:

| | |
|--|---|
| RATED OUTPUT | 2 mV/V nom. |
| SAFE OVERLOAD | 150% of R.O. |
| ZERO BALANCE | ±1% of R.O. |
| EXCITATION (VDC OR VAC) | 18 MAX |
| BRIDGE RESISTANCE | 1000 Ω nom. |
| NONLINEARITY | ±0.2% of R.O. |
| HYSTERESIS | ±0.2% of R.O. |
| NONREPEATABILITY | ±0.05% of R.O. |
| TEMP. SHIFT ZERO | ±0.002% of R.O./°F [0.0036% of R.O./°C] |
| TEMP. SHIFT SPAN | ±0.002% of LOAD/°F [0.0036% of LOAD/°C] |
| COMPENSATED TEMP. | 60 to 160°F [15 to 72°C] |
| OPERATING TEMP. | -60 to 200°F [-50 to 93°C] |
| WEIGHT | 2.3 oz [65 g] |
| MATERIAL | ALUMINUM |
| CABLE: #29 AWG, 4 Conductor, Spiral Teflon Cable 6 [152.4] Long | |
| ACCESSORIES AND RELATED INSTRUMENTS AVAILABLE | |
| CALIBRATION (STD) | 2 pt. CW; 150KΩ SHUNT CAL. VALUE |
| CALIBRATION (OPT) | 2pt. CCW |
| CALIBRATION TEST EXCITATION | 10 VDC |

