

FUTEK MODEL TPT500

REACTION TORQUE SENSOR (Previously T5200)

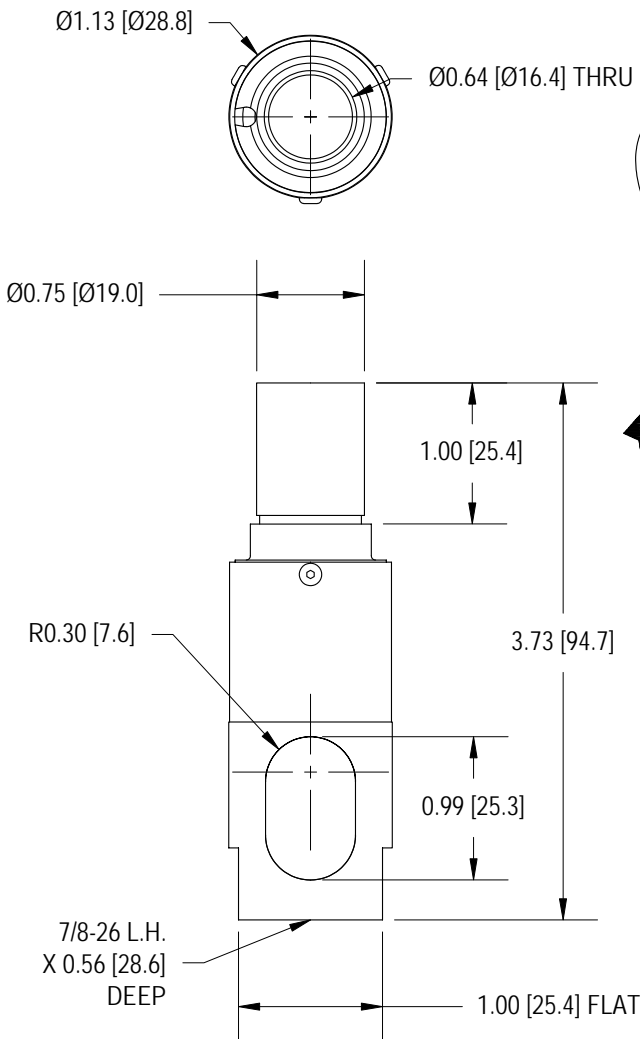
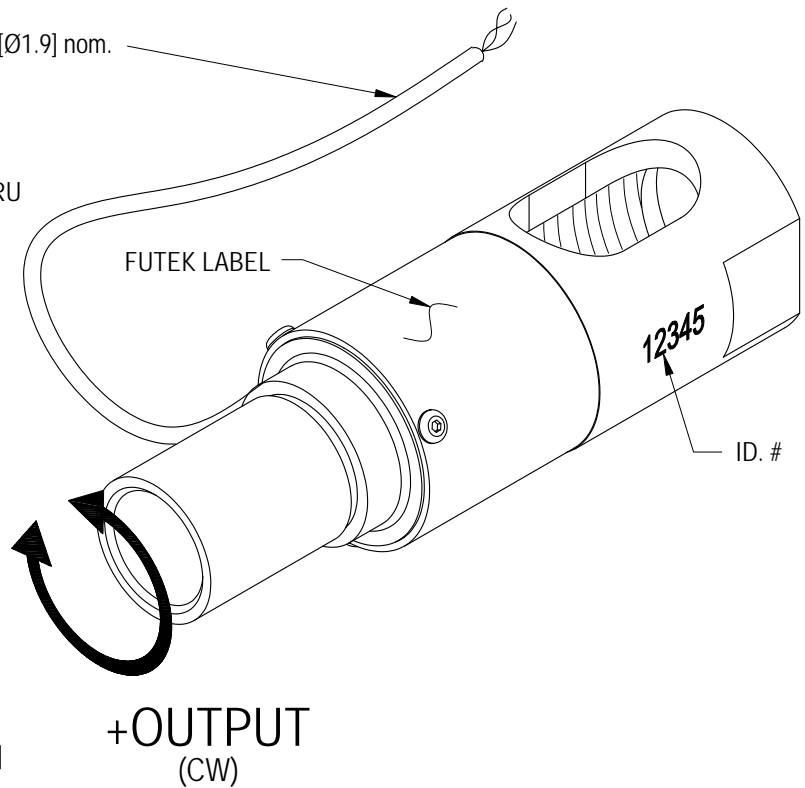
Drawing Number: FI1142

INCH [mm] | R.O.= Rated Output

WIRING CODE B (WC1)

+Excitation	-Excitation	+Signal	-Signal
RED	BLACK	GREEN (YELLOW)	WHITE

Ø0.07 [Ø1.9] nom.



STK#	CAPACITY		TORSIONAL STIFFNESS	RATED OUTPUT
	in-lb	N-m	in-lb/rad	mV/V nom.
FSH00742	120	15	72000	1.5
FSH02220	180	20	72000	2

SPECIFICATIONS:

RATED OUTPUT
SAFE OVERLOAD
ZERO BALANCE
EXCITATION (VDC OR VAC)
BRIDGE RESISTANCE
NONLINEARITY
HYSTERESIS
NONREPEATABILITY
TEMP. SHIFT ZERO
TEMP. SHIFT SPAN
COMPENSATED TEMP.
OPERATING TEMP.
WEIGHT
MATERIAL
CABLE: #30 AWG, 4 Conductor, Braided Shielded Teflon Cable 10 ft [3 m] Long
ACCESSORIES AND RELATED INSTRUMENTS AVAILABLE
CALIBRATION (STD)
CALIBRATION (OPT)
CALIBRATION TEST EXCITATION

See Chart
 150% of R.O.
 ±1% of R.O.
 18 MAX
 350 Ω nom.
 ±0.2% of R.O.
 ±0.2% of R.O.
 ±0.05% of R.O.
 ±0.005% of R.O./°F [0.01% of R.O./°C]
 ±0.002% of LOAD/°F [0.0036% of LOAD/°C]
 60 to 160°F [15 to 72°C]
 -60 to 200°F [-50 to 93°C]
 1.8 oz [51 g]
BLACK ANODIZED ALUMINUM
 5 pt. CW; 75KΩ. (120 in-lb), 60.4KΩ. SHUNT CAL. VALUE
 5pt. CCW
 10 VDC

APPLICATION

DESIGNED FOR DESUTTER
 ELECTRIC SCREW DRIVER

